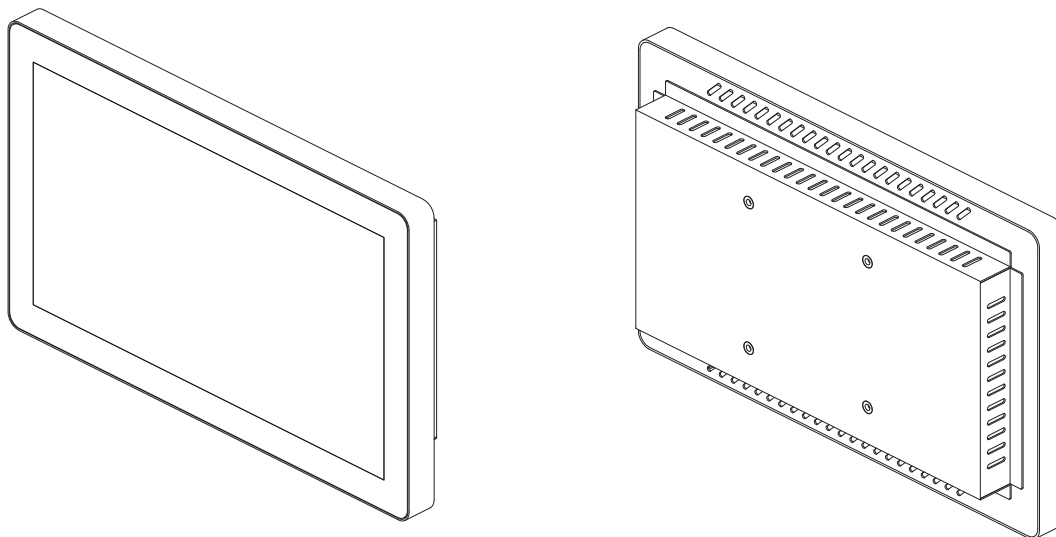


13.3" Flat surface multi touch Monitor

- 13.3" TFT LCD with resolution up to 1920 x 1080.
- Suitable for military, tablet, ruggedized PC, kiosk, advertising, POS, marine, transportation, gaming, gas pump.

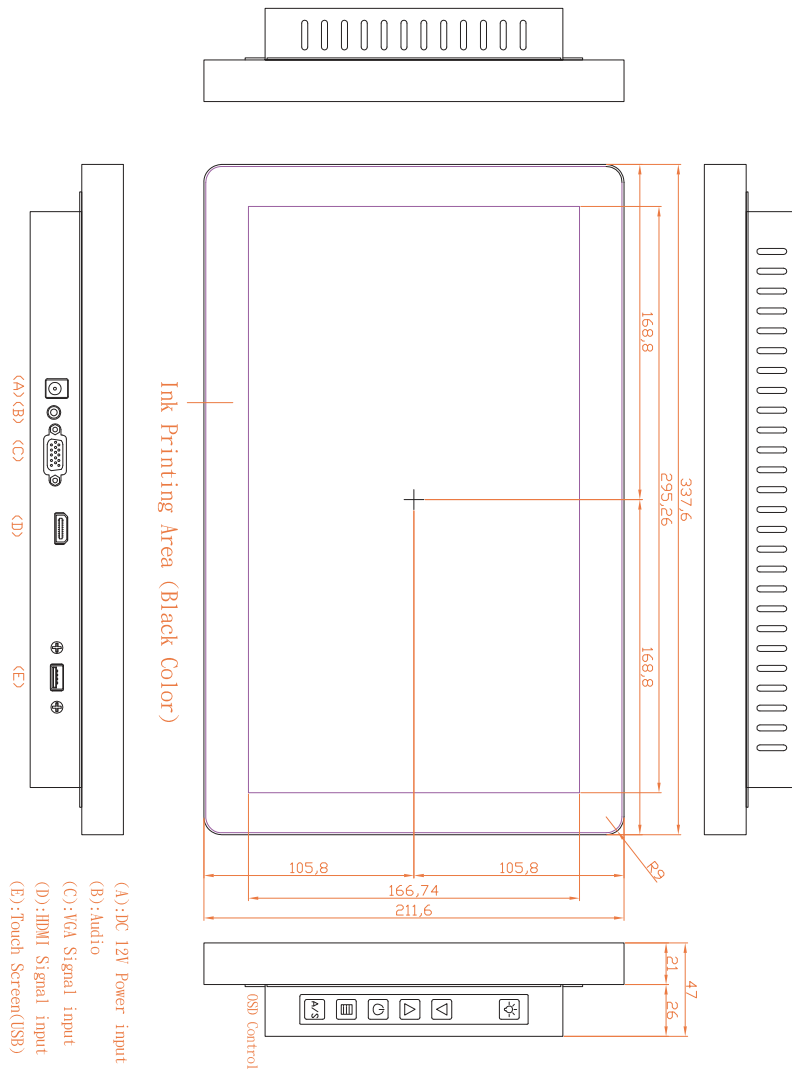
Picture:



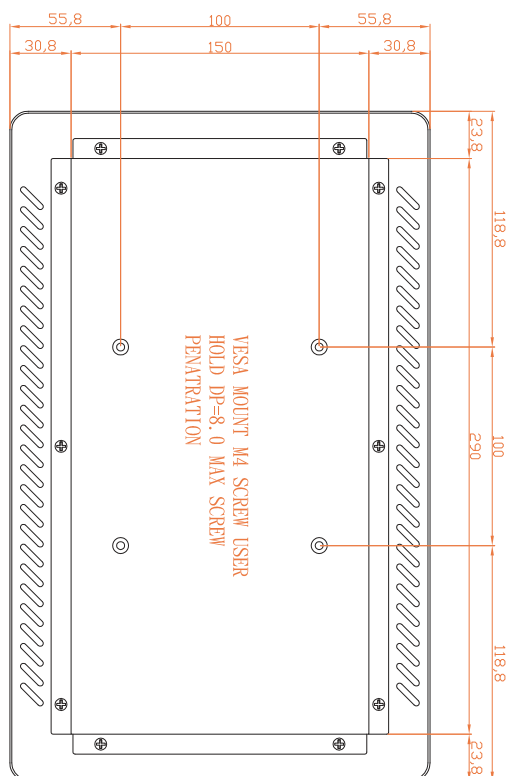
Specifications:

Panel Model	NF133LS-A
Screen Diagonal	13.3-inch
Active Display Area (mm)	293.76(H)x 165.24(V)
Pixel Pitch (mm)	0.153(H)x0.153(V) x RGB
Number of Pixels	1920xRGB (3)x1080
Contrast Ratio	900:1
Interface	eDP-2 Line
Brightness (cd/m ²)	300 cd/m ² (Without Touch Screen)
Viewing Angle(Typ.)	89 / 89 / 89 / 89 (R/L/U/D)
Signal Connector	15 PIN D-Sub,HDMI
Power Source	DC +12V(+/-10%)
Power Management	VESA DPMS Compliant
Operating Temperature	-0 ~ +50 °C
Storage Temperature	-10 ~ +60 °C
Plug & Play	VESA DDC 1/2B
Touch Type	Projected Capacitive Touch
Transparency	> 85% (typ.)
Hardness of surface	7H
Linearity	±1.5%(max.)
Touch Interface	USB

Mechanical Drawing:



- (A): DC 12V Power input
- (B): Audio
- (C): VGA Signal input
- (D): HDMI Signal input
- (E): Touch Screen (USB)



Note :
 (1) Unit : mm °
 (2) Unspecified tolerances are +/- 0.5mm.

*All specifications and photos are subject to change without notice.