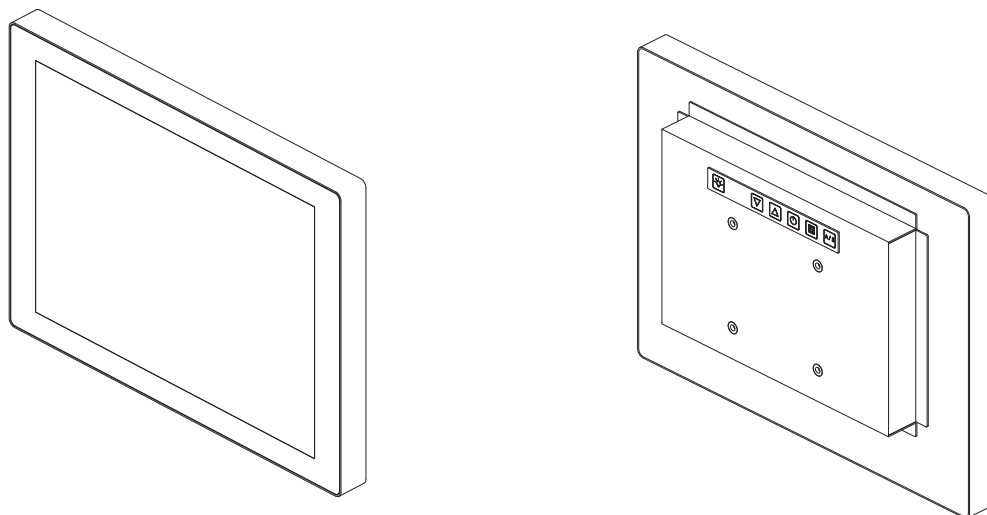


12.1" Flat surface multi touch Monitor

- 12.1" TFT LCD with resolution up to 1024 x 768.
- Suitable for military, tablet, ruggedized PC, kiosk, advertising, POS, marine, transportation, gaming, gas pump.

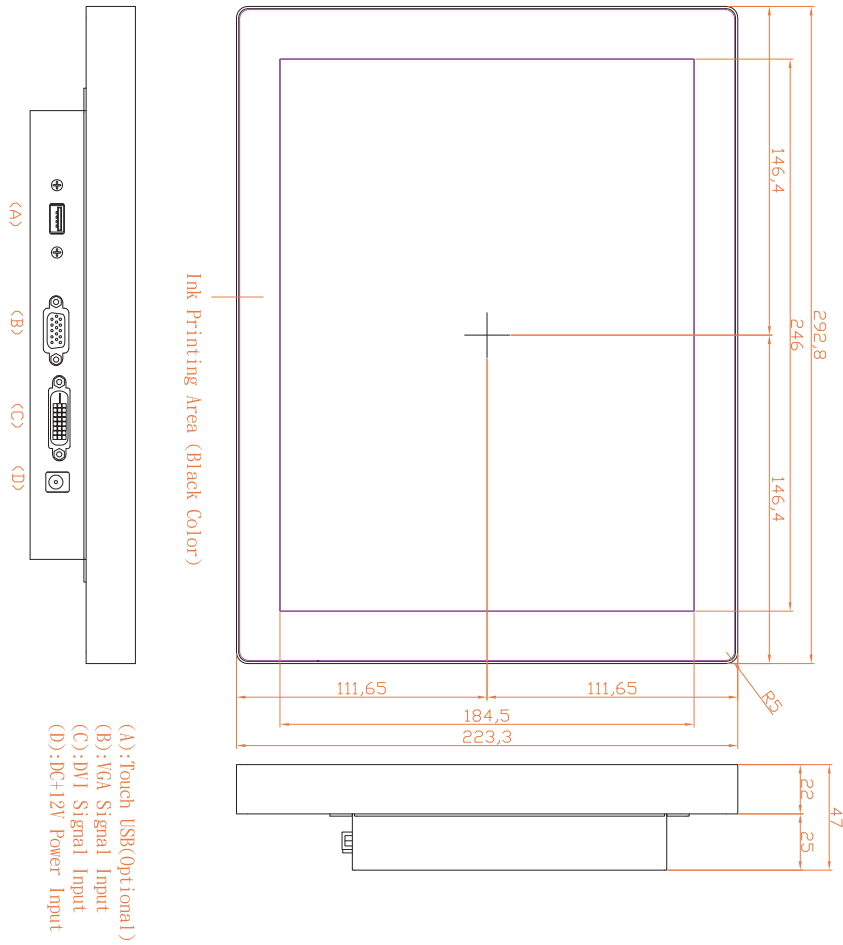
Picture:



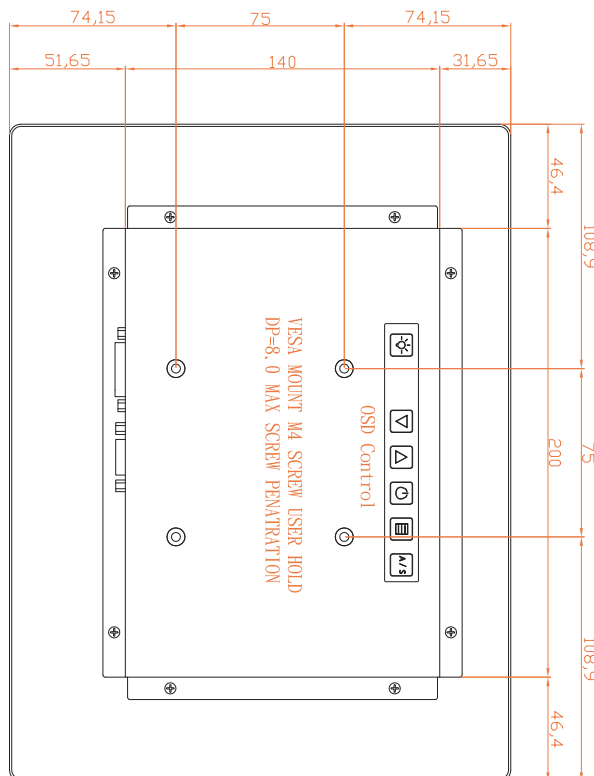
Specifications:

Panel Model	NF121LS-A
Screen Diagonal	12.1-inch
Active Display Area (mm)	245.76 (H) x 184.32 (V)
Pixel Pitch (mm)	0.240(H) x 0.240(W)
Number of Pixels	1024 x R.G.B x 768
Contrast Ratio	1000:1
Display Color	262K/16.7M Colors
Brightness (cd/m ²)	500 cd/m ² (Without Touch Screen)
Viewing Angle(Typ.)	89 / 89 / 89 / 89 (R/L/U/D)
Signal Connector	15 PIN D-Sub,DVI
Power Source	DC +12V(+/-10%)
Power Management	VESA DPMS Compliant
Operating Temperature	-30 ~ +70 °C
Storage Temperature	-40 ~ +80 °C
Plug & Play	VESA DDC 1/2B
Touch Type	Projected Capacitive Touch
Transparency	> 85% (typ.)
Hardness of surface	7H
Linearity	±1.5%(max.)
Touch Interface	USB

Mechanical Drawing:



(A): Touch (USB(Optional))
 (B): VGA Signal Input
 (C): DVI Signal Input
 (D): DC+12V Power Input



Note :
 (1) Unit : mm°
 (2) Unspecified tolerances are +/- 0.5mm.

*All specifications and photos are subject to change without notice.