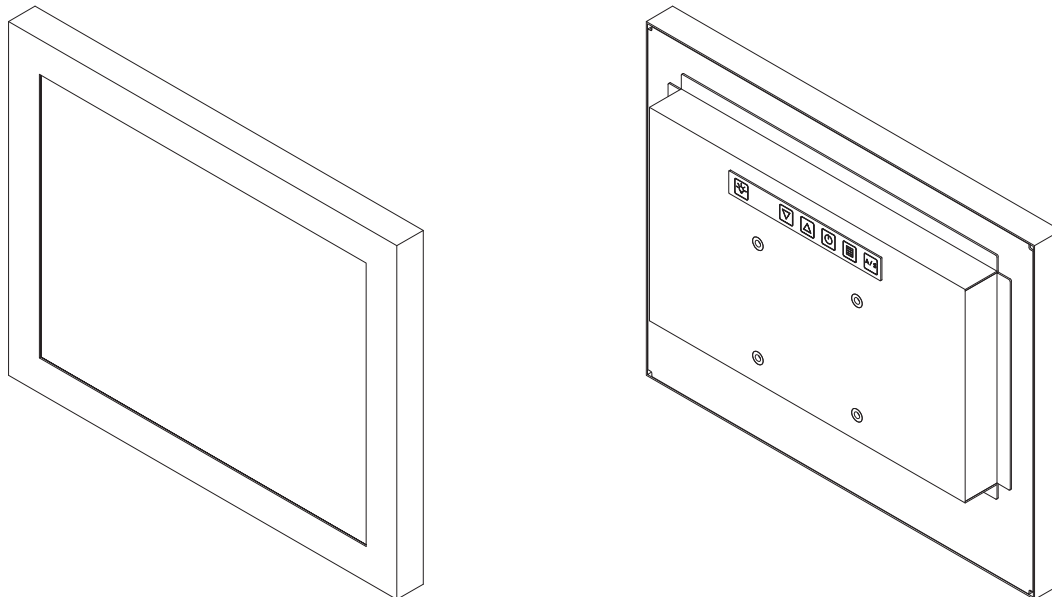


# 12.1" Chassis Touch LCD Monitor

- 12.1" TFT LCD with resolution up to 1024 x 768.
- Suitable for military, tablet, ruggedized PC, kiosk, advertising, POS, marine, transportation, gaming, gas pump.

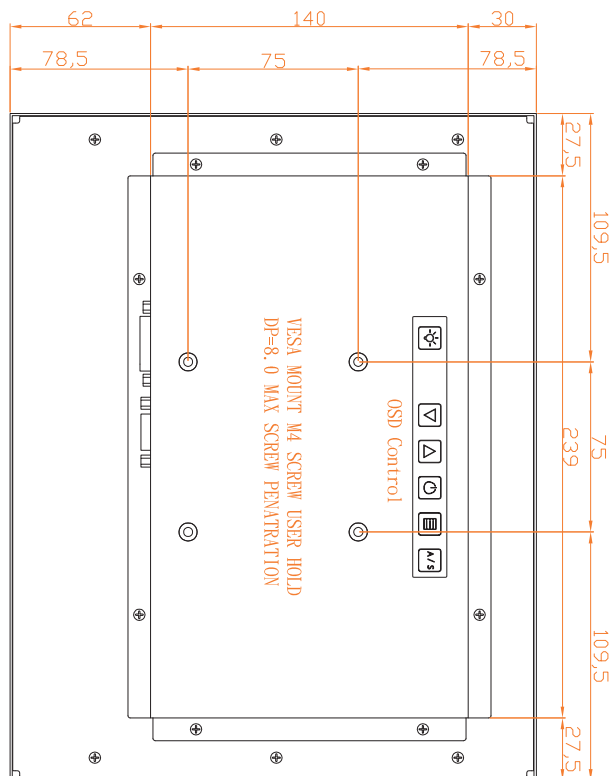
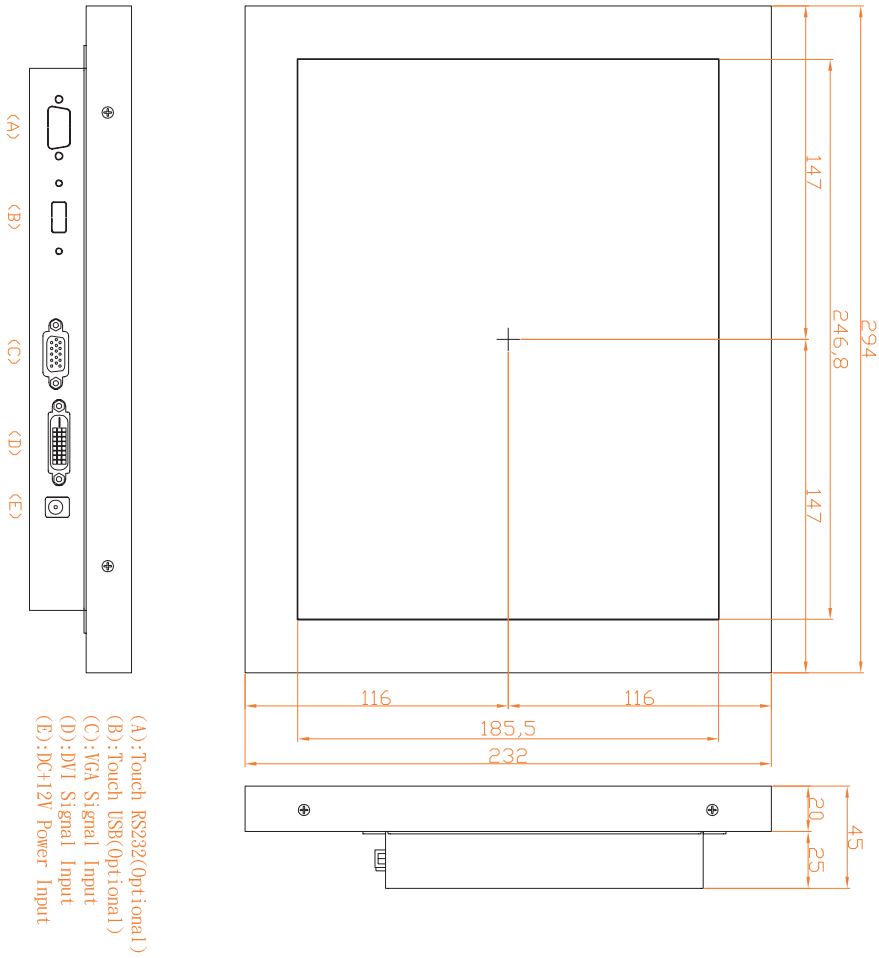
## Picture:



## Specifications:

Panel Model	M121LS-A
Screen Diagonal	12.1-inch
Active Display Area (mm)	245.76 (H) x 184.32 (V)
Pixel Pitch (mm)	0.240(H) x 0.240(W)
Number of Pixels	1024 x R.G.B x 768
Contrast Ratio	1000:1
Display Color	262K/16.7M Colors
Brightness (cd/m <sup>2</sup> )	500 cd/m <sup>2</sup> (Without Touch Screen)
Viewing Angle(Typ.)	89 / 89 / 89 / 89 ( R/L/U/D)
Signal Connector	15 PIN D-Sub,DVI
Power Source	DC +12V(+/-10%)
Power Management	VESA DPMS Compliant
Operating Temperature	-30 ~ +70°C
Storage Temperature	-40 ~ +80°C
Plug & Play	VESA DDC 1/2B
Touch Type	5-Wire Resistive Touch Screen
Transparency	> 80% (typ.)
Hardness of surface	3H
Linearity	±1.5%(max.)
Touch Interface	USB or RS232 (Optional)

## Mechanical Drawing:



Note :  
 (1) Unit : mm.  
 (2) Unspecified tolerances are +/- 0.5mm.

\*All specifications and photos are subject to change without notice.