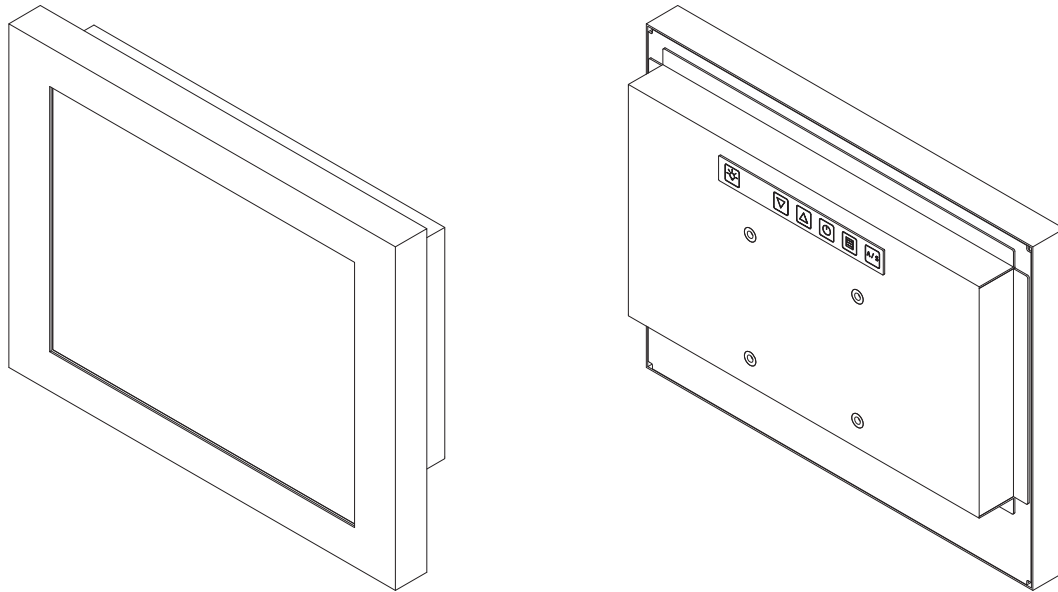


10.4" Chassis Touch LCD Monitor

- 10.4" TFT LCD with resolution up to 800 x 600.
- Suitable for military, tablet, ruggedized PC, kiosk, advertising, POS, marine, transportation, gaming, gas pump.

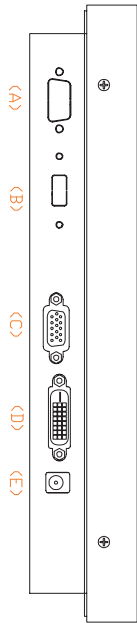
Picture:



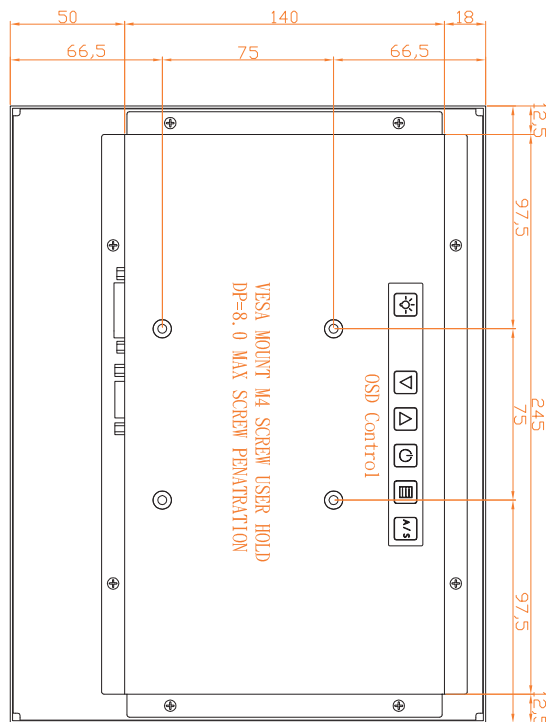
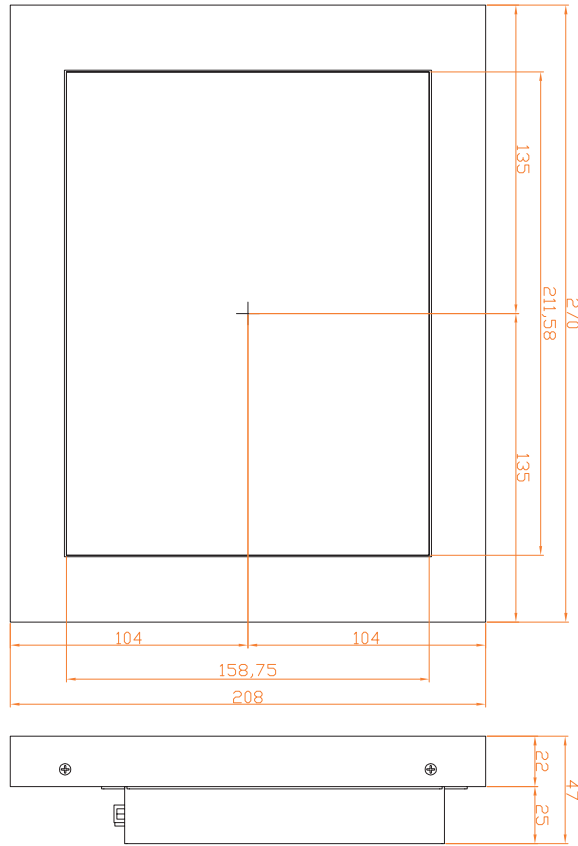
Specifications:

Panel Model	M104LS-A
Screen Diagonal	10.4-inch
Active Display Area (mm)	214.8 (H) x 162.7 (V)
Pixel Pitch (mm)	0.264(H) x 0.264(W)
Number of Pixels	800 x R.G.B x 600
Contrast Ratio	700:1
Display Color	262K/16.2M Colors
Brightness (cd/m ²)	400 cd/m ² (Without Touch Screen)
Viewing Angle(Typ.)	80 / 80 / 70 / 70 (R/L/U/D)
Signal Connector	15 PIN D-Sub,DVI
Power Source	DC +12V(+/-10%)
Power Management	VESA DPMS Compliant
Operating Temperature	-30 ~ +85°C
Storage Temperature	-30 ~ +85°C
Plug & Play	VESA DDC 1/2B
Touch Type	5-Wire Resistive Touch Screen
Transparency	> 80% (typ.)
Hardness of surface	3H
Linearity	±1.5%(max.)
Touch Interface	USB or RS232 (Optional)

Mechanical Drawing:



- (A): Touch RS232C(Optional)
- (B): Touch USB(Optional)
- (C): VGA Signal Input
- (D): DVI Signal Input
- (E): DC+12V Power Input



Note :
 (1) Unit : mm°
 (2) Unspecified tolerances are +/- 0.5mm.

*All specifications and photos are subject to change without notice.