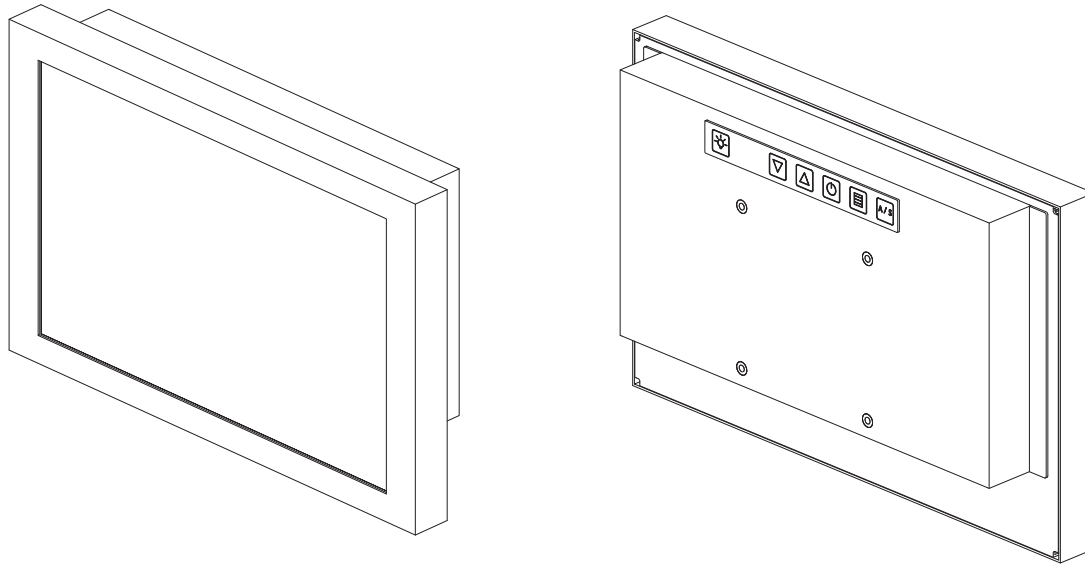


10.1" Chassis Touch LCD Monitor

- 10.1" TFT LCD with resolution up to 1280 x 800.
- Suitable for military, tablet, ruggedized PC, kiosk, advertising, POS, marine, transportation, gaming, gas pump.

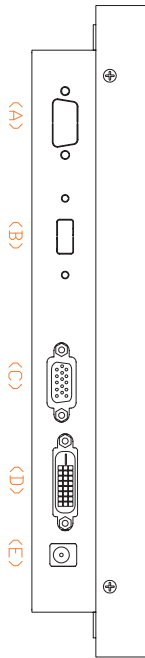
Picture:



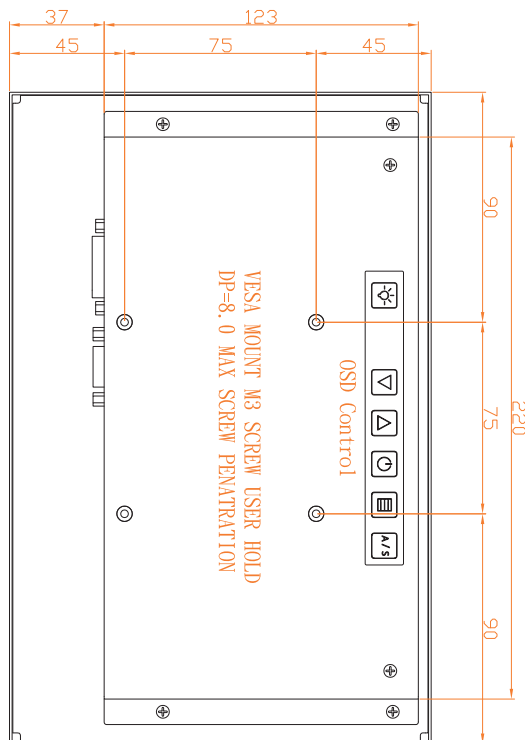
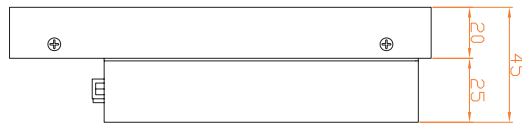
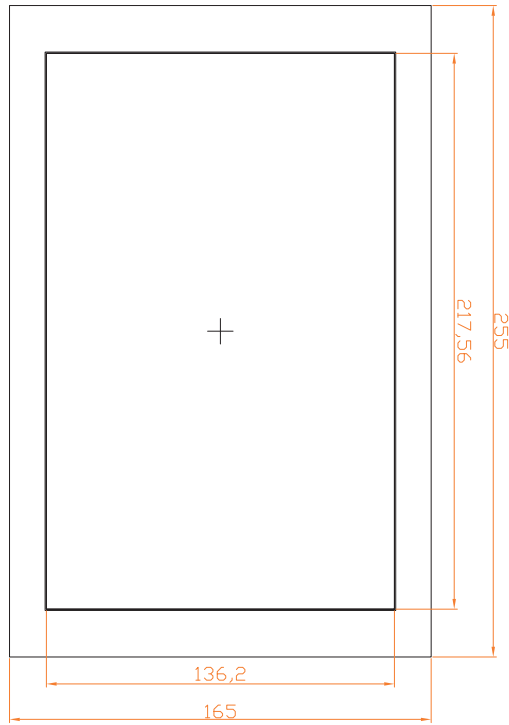
Specifications:

Panel Model	M101LS-A
Screen Diagonal	10.1-inch
Active Display Area (mm)	216.96 (H) x 135.6 (V)
Pixel Pitch (mm)	0.1695(H) x 0.1695(W)
Number of Pixels	1280 x R.G.B x 800
Contrast Ratio	800:1
Display Color	16.7M
Brightness (cd/m ²)	350 cd/m ² (Without Touch Screen)
Viewing Angle(Typ.)	85 / 85 / 85 / 85 (R/L/U/D)
Signal Connector	15 PIN D-Sub,DVI
Power Source	DC +12V(+/-10%)
Power Management	VESA DPMS Compliant
Operating Temperature	-20 ~ +70°C
Storage Temperature	-30 ~ +80°C
Plug & Play	VESA DDC 1/2B
Touch Type	5-Wire Resistive Touch Screen
Transparency	> 80% (typ.)
Hardness of surface	3H
Linearity	±1.5%(max.)
Touch Interface	USB or RS232 (Optional)

Mechanical Drawing:



- (A): Touch RS232 (Optional)
- (B): Touch USB (Optional)
- (C): VGA Signal Input
- (D): DVI Signal Input
- (E): DC+12V Power Input



Note :
 (1) Unit : mm.
 (2) Unspecified tolerances are +/- 0.5mm.

*All specifications and photos are subject to change without notice.